

The 15SW1P is a high power 15" professional subwoofer specially designed to reproduce sound at the very low end of the audio spectrum.

In order to achieve a perfect performance in this very demanding region of low frequencies, the 15SW1P is capable of handling up to 800 W RMS or 1,600 W (Musical Program).

A bumped bottom plate assures a compatible maximum displacement and the extended pole piece keeps the magnetic field linearity in order to avoid distortion; it also improves the heat transfer.

The magnet assembly was designed with the assistance of a Finite Element Analysis (FEA) software in order to ensure optimization.

A 4" (100 mm) voice coil wound in a fiberglass former with flat copper clad aluminum wire drives the moving assembly.

A non-pressed long fiber pulp cone has the necessary stiffness to withstand the tremendous accelerating forces involved and is properly centered by two counteracting polyamide fiber spiders.

An triple cooling system consisting of a large diameter center hole surrounded by six smaller holes (directly cooling the gap) and six frame windows (cooling the air trapped between the two spiders) are responsible for an efficient heat transfer mechanism.

A highly reinforced aluminum injected frame is effective in absorbing mechanical shocks and acts as a heat sink without interfering with the magnetic field.



SPECIFICATIONS

Nominal diameter	380 (15)	mm (in)
Nominal impedance	8	Ω
Minimum impedance @ 118 Hz	7.2	Ω
Power handling		
Musical program ¹	1,600	W
AES ²	800	W
Sensitivity (1W/1m) averaged from 80 to 250 Hz	96	dB SPL
Power compression @ 0 dB (nom. power)	3.5	dB
Power compression @ -3 dB (nom. power)/2	2.8	dB
Power compression @ -10 dB (nom. power)/10	0.7	dB
Frequency response @ -10 dB	30 to 2,500	Hz

¹ Specifications to handle normal speech and music program material with 5% maximum acceptable distortion on amplifier. Power is calculated taking into account the true RMS voltage at amplifier output along with transducer nominal impedance.

² AES Standard (60 - 600 Hz).

THIELE-SMALL PARAMETERS

Fs	36	Hz
Vas	155 (5.47)	l(ft ³)
Qts	0.33	
Qes	0.34	
Qms	12.78	
ηo (half space)	2.84	%
Sd	0.0814 (126.17)	m ² (in ²)
Vd (Sd x Xmax)	350.0 (21.36)	cm ³ (in ³)
Xmax (max. excursion (peak) with 1 0% distortion)	9.3 (0.37)	mm(in)
Xlim (max.excursion (peak) before physical damage)	25.0 (0.98)	mm(in)

Atmospheric conditions at TS parameter measurements:

Temperature	27 (81)	°C (°F)
Atmospheric pressure	1,010	mb
Humidity	51	%

Thiele-Small parameters are measured after a 2-hour power test using half AES power. A variation of ± 15% is allowed.

ADDITIONAL PARAMETERS

βL	20.8	Tm
Flux density	0.90	T
Voice coil diameter	100 (4)	mm (in)
Voice coil winding length	39.7 (130.3)	m (ft)
Wire temperature coefficient of resistance (α25)	0.00372	1/°C
Maximum voice coil operating temperature	275 (527)	°C (°F)
θvc (max.voice coil operating temp./max.power)	0.34 (0.66)	°C/W (°F/W)
Hvc (voice coil winding depth)	32.0 (1.26)	mm (in)
Hag (air gap height)	13.5 (0.532)	mm (in)
Re	5.5	Ω
Mms	119.0 (0.262)	g (lb)
Cms	167.1	μm/N
Rms	1.7	kg/s

NON-LINEAR PARAMETERS

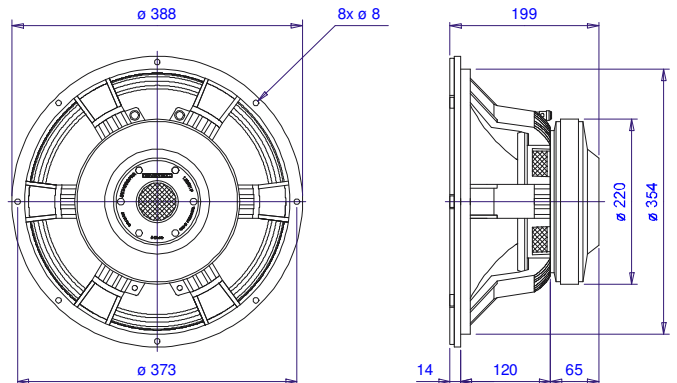
Le @ Fs (voice coil inductance @ Fs)	12.327	mH
Le @ 1 kHz (voice coil inductance @ 1 kHz)	2.183	mH
Le @ 20 kHz (voice coil inductance @ 20 kHz)	0.501	mH
Red @ Fs	0.67	Ω
Red @ 1 kHz	9.18	Ω
Red @ 20 kHz	85.49	Ω
Krm	13.621	mΩ
Kxm	160.686	mH
Erm	0.745	
Exm	0.508	

ADDITIONAL INFORMATION

Magnet material	Barium ferrite
Magnet weight	3,440 (120) g (oz)
Magnet diameter x depth	220 x 24 (8.66 x 0.95) mm (in)
Magnetic assembly weight	11,800 (26.01) g (lb)
Frame material	Aluminum
Frame finish	Black epoxy
Magnetic assembly steel finish	Zinc-plated
Voice coil material	Flat CCAW
Voice coil former material	Fiberglass
Cone material	Non-pressed long fiber pulp
Volume displaced by woofer	6.6 (0.233) l (ft ³)
Net weight	13,920 (30.69) g (lb)
Gross weight	14,700 (32.41) g (lb)
Carton dimensions (W x D x H)	43 x 43 x 23 (16.9 x 16.9 x 9.1) cm (in)

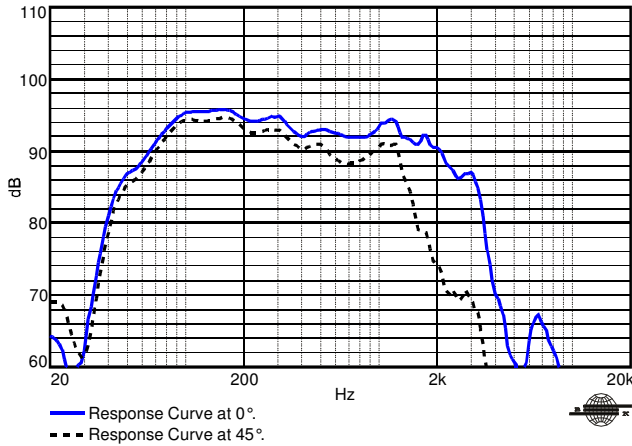
MOUNTING INFORMATION

Number of bolt-holes	8
Bolt-hole diameter	8.0 (0.32) mm (in)
Bolt-circle diameter	373 (14.69) mm (in)
Baffle cutout diameter (front mount)	345 (13.58) mm (in)
Baffle cutout diameter (rear mount)	355 (13.98) mm (in)
Connectors	Silver-plated push terminals
Polarity	Positive voltage applied to the positive terminal (red) gives forward cone motion
Minimum clearance between the back of the magnetic assembly and the enclosure wall	75 (3) mm (in)

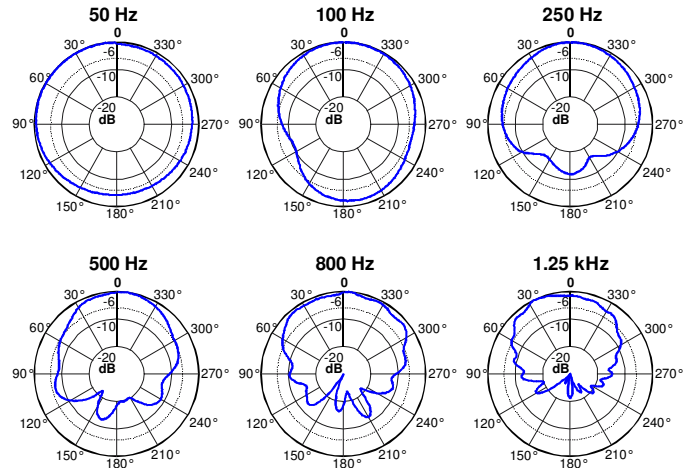


Dimensions in mm.

RESPONSE CURVES (0° AND 45°) IN A TEST ENCLOSURE INSIDE AN ANECHOIC CHAMBER, 1 W / 1m

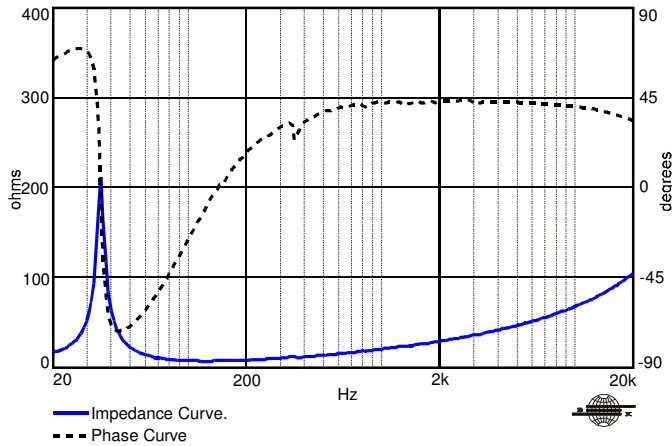


POLAR RESPONSE CURVES

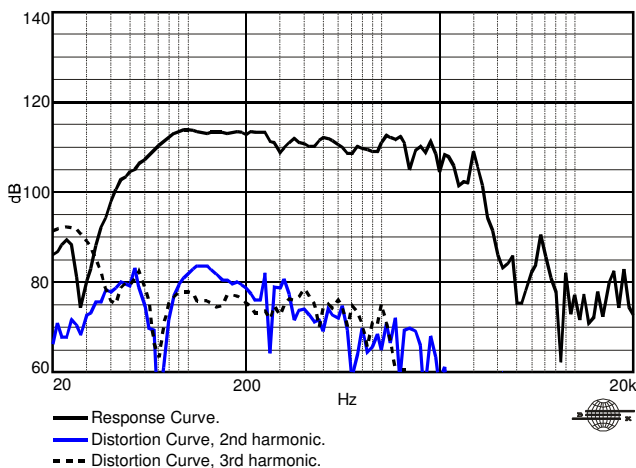


— Polar Response Curve.

IMPEDANCE AND PHASE CURVES MEASURED IN FREE-AIR



HARMONIC DISTORTION CURVES MEASURED AT 10% AES INPUT POWER, 1 m



HOW TO CHOOSE THE RIGHT AMPLIFIER

The power amplifier must be able to supply twice the RMS driver power. This 3 dB headroom is necessary to handle the peaks that are common to musical programs. When the amplifier clips those peaks, high distortion arises and this may damage the transducer due to excessive heat. The use of compressors is a good practice to reduce music dynamics to safe levels.

FINDING VOICE COIL TEMPERATURE

It is very important to avoid maximum voice coil temperature. Since moving coil resistance (R_E) varies with temperature according to a well known law, we can calculate the temperature inside the voice coil by measuring the voice coil DC resistance:

$$T_B = T_A + \left(\frac{R_B}{R_A} - 1 \right) \left(T_A - 25 + \frac{1}{\alpha_{25}} \right)$$

T_A, T_B = voice coil temperatures in °C.

R_A, R_B = voice coil resistances at temperatures T_A and T_B , respectively.

α_{25} = voice coil wire temperature coefficient at 25 °C.

POWER COMPRESSION

Voice coil resistance rises with temperature, which leads to efficiency reduction. Therefore, if after doubling the applied electric power to the driver we get a 2 dB rise in SPL instead of the expected 3 dB, we can say that power compression equals 1 dB. An efficient cooling system to dissipate voice coil heat is very important to reduce power compression.

NON-LINEAR VOICE COIL PARAMETERS

Due to its close coupling with the magnetic assembly, the voice coil in electrodynamic loudspeakers is a very non-linear circuit. Using the non-linear modeling parameters $K_{rm}, K_{xm}, E_{rm}, E_{xm}$ from an empirical model, we can calculate voice coil impedance with good accuracy.

SUGGESTED PROJECTS

HB1502B1 HB1505C1

For additional project suggestions, please access our web site.

TEST ENCLOSURE

110-liter volume with a duct \varnothing 5" by 0.79" length.

Kapton®: Du Pont trademark.
MCS® (Multi Cooling System): Selenium trademark.

Specifications subject to change without prior notice.
Page: 2/2 Ed.: 00 - 09/01

EUROPE Address:
SELENIUM EUROPE
St. Elisabethenstrasse 6
65396 Walluf / Ober-Walluf - Germany
Phone: +(49) 6123 601570
Fax: +(49) 6123 601587
E-mail: sales@selenium-eu.com
URL: www.seleniumloudspeakers.com

USA Address:
SELENIUM LOUDSPEAKER USA
1701 South Park Court, Bldg 102
Chesapeake, VA 23320 - USA
Phone: (757) 424-7516 / (800) 562-0510
Fax: (757) 424-5246
E-mail: export@selenium-usa.com
URL: www.seleniumloudspeakers.com

BRAZIL Address:
ELETRONICA SELENIUM S.A.
BR 386 Km 435 / 92.480-000
Nova Santa Rita - RS - Brazil
Fax: +(55) 51 479-1120
URL: www.selenium.com.br