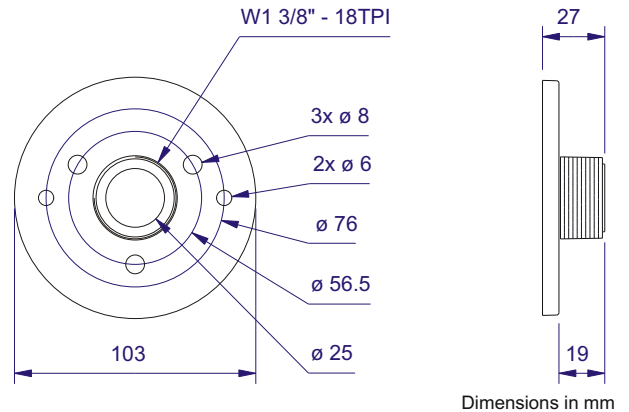


## ADM 25-25

ADM25-25 is a flange injected in high-resistance aluminum alloy, treated with epoxy paint, with the objective of adapting drivers on horns with female screw thread 1 3/8" and 18 wires/inch.

### TECHNICAL SPECIFICATIONS

Driver throat diameter.....25 (1) mm (in)  
 Horn throat diameter ..... 25 (1) mm (in)  
 Material ..... Aluminum  
 Net weight ..... 97 (0.21) g (lb)



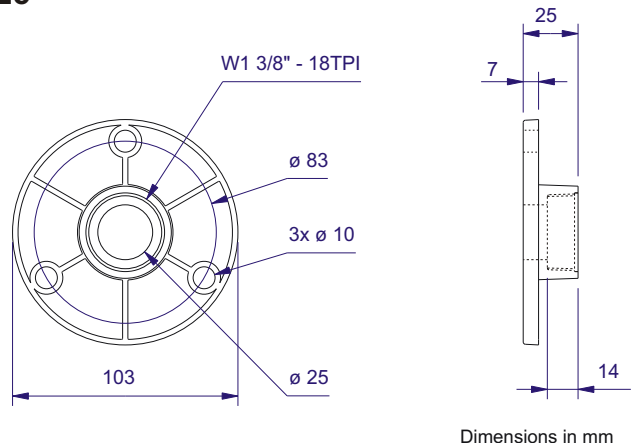
Dimensions in mm

## ADF25-25

ADF25-25 is a flange injected in high-resistance engineering plastic, with black pigment, with the objective of adapting drivers on horns with flange of 1" throat diameter.

### TECHNICAL SPECIFICATIONS

Driver throat diameter..... 25 (1) mm (in)  
 Horn throat diameter ..... 25 (1) mm (in)  
 Material ..... Plastic  
 Net weight ..... 50 (0.11) g (lb)



Dimensions in mm