

Features:

- Stage monitors, side-fill and P.A. applications.
- Compact size, flat front.
- Plastic exponential horn.
- 25 mm (1") throat.
- 60° x 60° nominal coverage.



SPECIFICATIONS

Nominal coverage		
Horizontal	60	degrees
Vertical	60	degrees
Directivity		
Directivity factor (Q)	12	
Directivity index (Di)	11	dB
Sensitivity		
On driver, 1W @ 1m, on axis ¹	108	dB SPL
Frequency response @ -6 dB ²	1,500 to 15,000	Hz
Throat diameter	25 (1)	mm (in)
Minimum recommended crossover ³	1,200	Hz

¹ Measured with DT150 OEM driver, 2,000 - 8,000 Hz average.

² Measured with DT150 OEM driver.

³ With DT150 OEM driver.

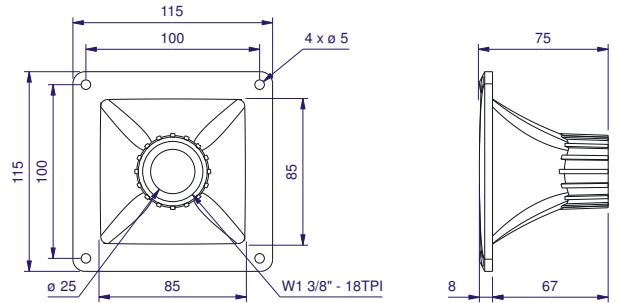
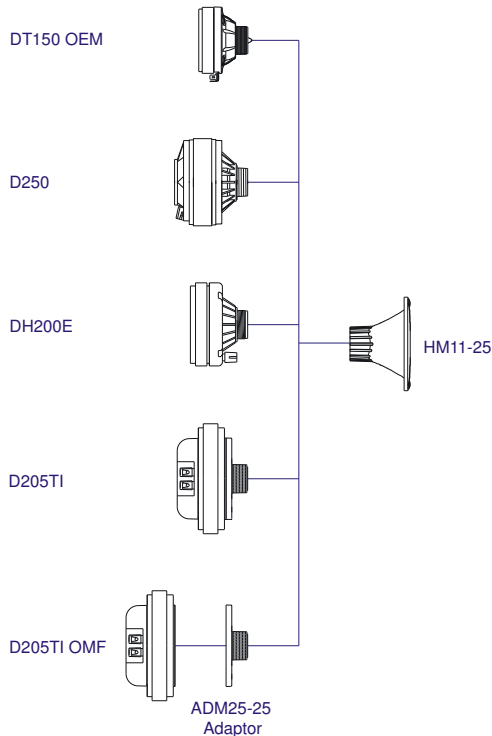
ADDITIONAL INFORMATION

Horn material	ABS plastic
Horn finish	Black
Overall dimensions	
Mouth height	115 (4.53) mm (in)
Mouth width	115 (4.53) mm (in)
Length	75 (2.95) mm (in)
Volume displaced by horn	0.2 (0.007) l (ft ³)
Net weight (1 piece)	100 (0.22) g (lb)
Gross weight (12 pieces per carton)	1,660 (3.66) g (lb)
Carton dimensions (W x D x H)	36 x 23 x 13 (14.2 x 9.1 x 5.1) cm (in)

MOUNTING INFORMATION

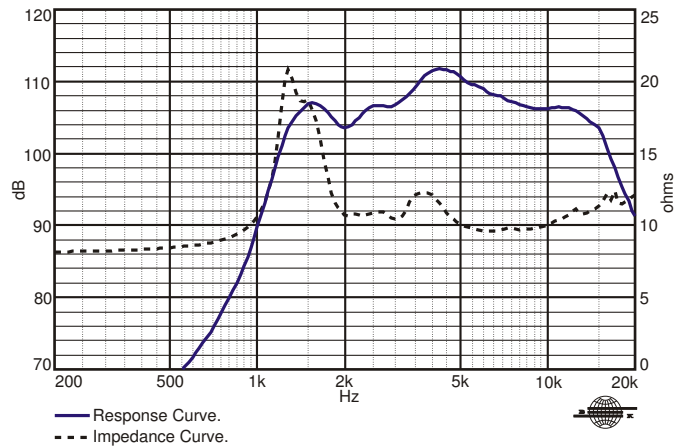
Mechanical connection of driver	Screw-on 1 ³ / ₈ " - 18 TPI
Baffle cutout dimensions (front mount)	
Horizontal	85 (3.35) mm (in)
Vertical	85 (3.35) mm (in)

HORN x DRIVER CONNECTION

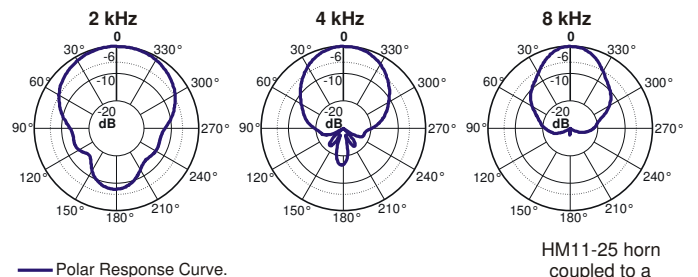


Dimensions in mm.

RESPONSE AND IMPEDANCE CURVES W/ DT150 OEM DRIVER INSIDE AN ANECHOIC CHAMBER, 1 W / 1 m



POLAR RESPONSE CURVE



HM11-25 horn coupled to a DT150 OEM driver