

### Features:

- Plastic bi-radial horn.
- Compact size.
- 25 mm (1") throat.
- 60°(H) x 40°(V) nominal coverage.
- Stage monitors, side-fill and P.A. Applications.

### SPECIFICATIONS

Nominal coverage	
Horizontal .....	60 degrees
Vertical .....	40 degrees
Directivity	
Directivity factor (Q) .....	18
Directivity index (Di) .....	13 dB
Sensitivity	
On driver, 1W @ 1m, on axis <sup>1</sup> .....	105 dB SPL
Frequency response @ -10 dB <sup>2</sup> .....	1,500 to 20,000 Hz
Throat diameter .....	25 (1) mm (in)
Minimum recommended crossover <sup>3</sup> .....	1,500 Hz

<sup>1</sup> Measured with DH200E driver, 1,500 - 8,000 Hz average.

<sup>2</sup> Measured with DH200E driver.

<sup>3</sup> With DH200E driver.

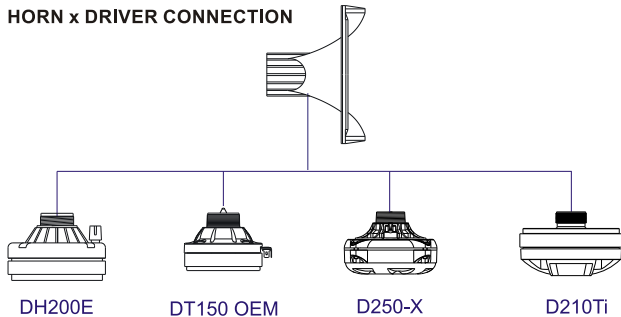
### ADDITIONAL INFORMATION

Horn material .....	PP plastic
Horn finish .....	Black
Overall dimensions	
Mouth height .....	145 (5.71) mm (in)
Mouth width .....	160 (6.30) mm (in)
Length .....	103 (4.06) mm (in)
Volume displaced by horn .....	0.2 (0.007) l (ft <sup>3</sup> )
Net weight (1 piece) .....	150 (0.33) g (lb)
Gross weight (6 pieces per carton) .....	1,280 (2.82) g (lb)
Carton dimensions (W x D x H) .....	31 x 23 x 19 (12.2 x 9.1 x 7.5) cm (in)

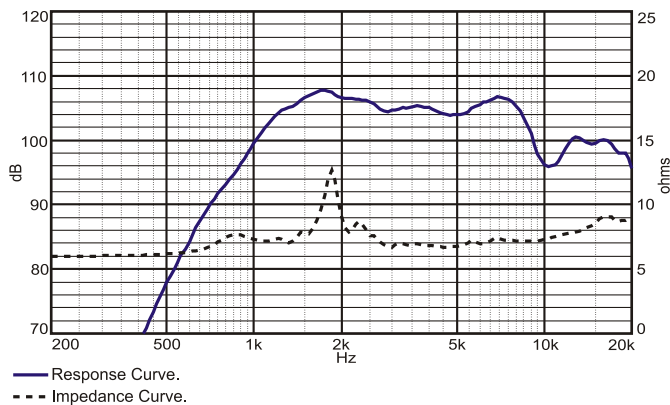
### MOUNTING INFORMATION

Mechanical connection of driver .....	Screw-on 1 <sup>3</sup> / <sub>8</sub> " - 18 TPI
Baffle cutout dimensions (front mount)	
Horizontal .....	115 (4.53) mm (in)
Vertical .....	115 (4.53) mm (in)

### HORN x DRIVER CONNECTION



### RESPONSE AND IMPEDANCE CURVES W/ DH200E DRIVER INSIDE AN ANECHOIC CHAMBER, 1 W / 1 m



HM 17-25 BLACK

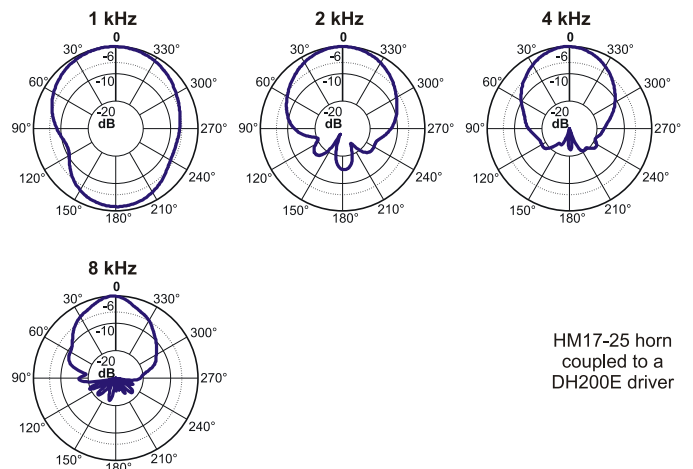


HM 17-25 SILVER

HM 17-25 ONIX

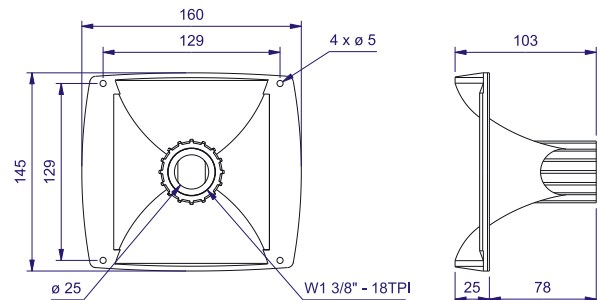


### POLAR RESPONSE CURVE



HM17-25 horn coupled to a DH200E driver

— Polar Response Curve, Horizontal.



Dimensions in mm.